



# SEGAOSSA E IMPASTACARNE

band bone saw  
stainless steel  
meat kneader

## SEGAOSSA

Apparecchio ad uso esclusivo professionale  
Destinato a macellerie, pescherie, grandi comunità,  
Fusione di alluminio anodizzato o verniciato  
Lama in acciaio di produzione nazionale  
Ampio piano di lavoro in acciaio inossidabile  
Spingi carne - Pulegge calibrate  
Rapido sblocco puleggia superiore  
Tendi lama registrabile  
Micro di protezione - Apparecchio certificato  
Norme CE - Fabbricato in Italia

## IMPASTACARNE

Apparecchio per uso professionale  
Struttura in acciaio inossidabile  
Indicato per macellerie  
Potente motore asincrono ventilato  
Centralina a 24 volt  
Ingranaggi elicoidali a bagno d'olio  
Coperchio con micro di sicurezza  
Vasca di lavorazione ribaltabile  
Pala di lavorazione in acciaio inossidabile  
Disponibili ruote - Norme CE - Fabbricato in Italia

## BAND BONE SAW

Professional heavy duty equipment  
Particularly suited for butcheries, fish shops, large community  
Fusion made from anodized or polished aluminium  
Italian make Steel blade  
Wide stainless steel working surface  
Meat pusher - Gauged pulley  
Upper pulley easy unlock - Adjustable blade stretcher  
Safety micro switch - Certified equipment  
CE approved - Proudly Made in Italy

## STAINLESS STEEL MEAT KNEADER

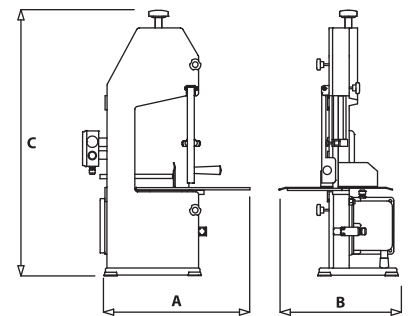
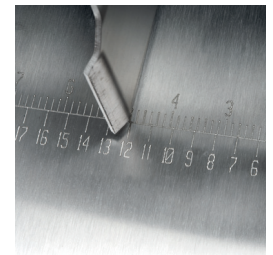
Professional equipment  
Stainless steel bodywork  
Particularly suited for butcheries  
Powerful asynchronous ventilated motor  
24volt control panel ensures safety during operation,  
and gives the operator maximum security  
Oil immersed gears - Safety micro switch on the lid  
Folding mixing tank - Stainless steel mixing shovel  
Wheels available - CE approved - Proudly Made in Italy



SEGAOSSA 1830



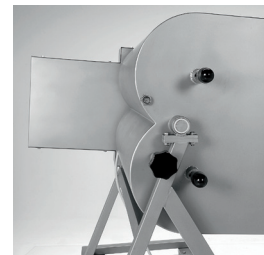
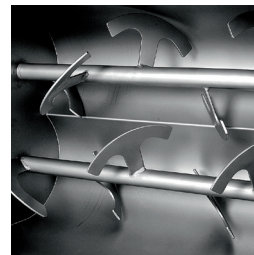
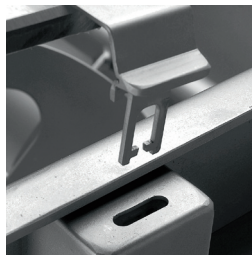
SEGAOSSA 1550



	A	B	C	Alimentazione Power supply Spannung	Potenza motore fase Single/ three phase power Empfänger/Drehphasige-Motorleistung	Altezza pala Cutting height Schneitiefe	Peso netto Net weight Nettogewicht	Dimensioni imballo Packing dimensions Verpackungsdimension
	mm	mm	mm	Volt/Hz	Kwatt/Hp	mm	kg	mm
<b>1550</b>	420	350	850	230/50 - 230-400/50	0,75(1,00)	170	28	640x370x900
<b>1830</b>	500	400	980	230/50 - 230-400/50	0,75(1,00)	210	38	640x370x1000
	A	B	C	Alimentación Alimentación eléctrica Питание	Puissance monophasé- triphasé Potencia del motor mono/trifásico Мощность 1/3 фазы	Hauteur de coupe Alteza de corte Высота реза	Poids net Peso neto Без нетто	Dimensiones embalaje Размер упаковки



## IMPASTACARNE



	A	B	C	Alimentazione Power supply Spannung	Potenza Motor power Leistung	Capacità Capacity Kapazität	Peso netto Net weight Nettogewicht
	mm	mm	mm	Volt/Hz	Kwatt/Hp	kg	kg
<b>FIC 30M</b>	360	720	570	230/50-230-400/50	0,75 (1,00)	30	40,0
<b>FIC 50M</b>	460	800	1020	230/50-230-400/50	1,50 (2,00)	50	80,0
<b>FIC 50B</b>	565	800	1040	230/50-230-400/50	1,80 (2,50)	50	100
<b>FIC 75M</b>	460	980	1020	230/50-230-400/50	1,50 (2,00)	75	85
<b>FIC 100B</b>	565	1160	1040	230/50-230-400/50	1,80 (2,50)	100	110
<b>FIC 120B</b>	630	1100	1080	230/50-230-400/50	1,80 (2,50)	120	120

	A	B	C	Alimentation Alimentación eléctrica Dinamie	Puissance moteur Potencia Мощность	Capacité Capacidad Мощность	Poids net Peso neto Без веса
--	---	---	---	---	--	-----------------------------------	------------------------------------