



# RF-0650 Flake Ice Machine

## Model

- RF-0650A-161   
  RF-0650W-161   
  RF-0650A-261   
  RF-0650W-261



Model RF-0650A  
Flake Ice Machine  
on B-570 Bin

## Standard Features

- Up to 731 lbs. (332 kgs) daily flake ice production.
- High load capacity bearings for enhanced reliability.
- Heavy duty stainless steel cabinet resists corrosion.
- Flake Ice is perfect for food display, salad bars, and cold therapy/healthcare.
- Ice forms around object without bruising and holds objects in place without tipping/spilling.

## Warranty

- 3-year Parts.
- 2-year Labor.
- Compressor parts for 5 years and labor for 2 years.

## Specifications

### BTU Per Hour:

Air: 7,700 (average)  
Water: 1000 (average)

### Compressor:

Nominal rating: 1 HP

### Refrigerant:

R-404A

### Operating Limits:

- Ambient Temperature Range: 50°-110°F (10°-43°C)
- Water Temperature Range 37°-90°F (3°-32°C)
- Water Pressure Ice Maker Water In  
Min. 14 psi (96.5 kPa)  
Max. 80 psi (551.6 kPa)
- Condenser Inlet Water In: (water-cooled only)  
Min. 20 psi (137.9 kPa)  
Max. 150 psi (1034.2 kPa)  
Water Condenser not for sea water applications.

## Ice Machine Electric

208-230/60/1 and 115/60/1 standard. (230/50/1 also available.)

### Minimum circuit ampacity:

7.3 amps (208-230V)  
13.7 amps (115V)

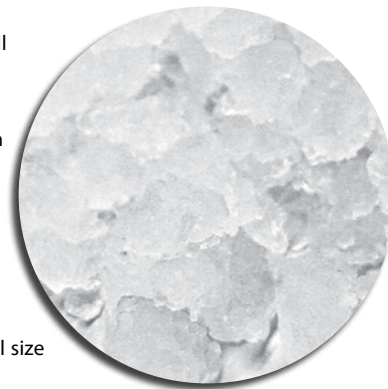
### Maximum fuse size:

15 amps (208-230V)  
20 amps (115V)

HACR-type circuit breakers can be used in place of fuses.

## Ice Shape

Flake ice is small hard bits of ice ideally suited for presentation applications.



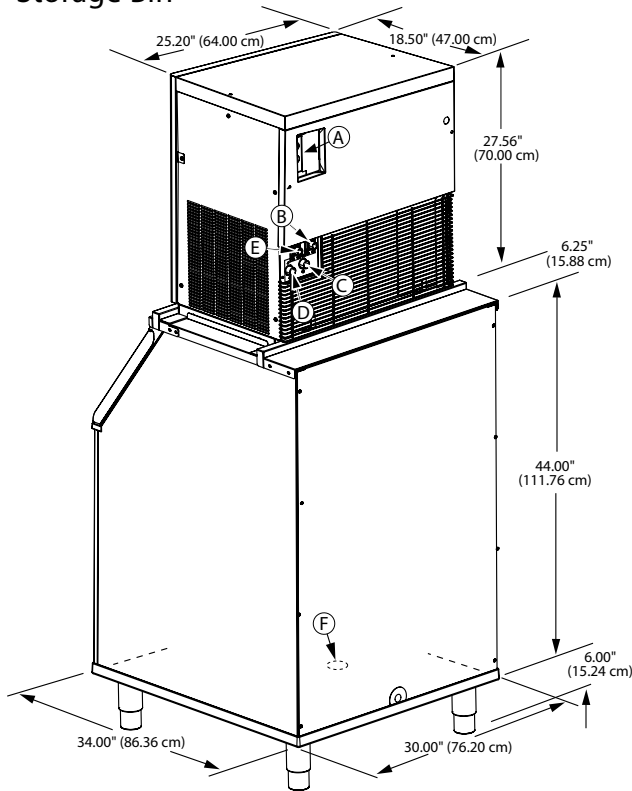
Ice shown actual size





# RF-0650 Flake Ice Machine

## RF-0650 on B-570 Storage Bin



**Installation Note -**

Minimum installation clearance:  
 Top/sides: 8" (20.32 cm),  
 Back: 5" (12.70 cm).

(A) Electrical Entrance (2) Options

**Air-Cooled Units:**

- (B) 3/8" F.P.T. Ice Making Water Inlet
- (C) 1/2" M.P.T. Ice Making Water Drain

**Water-Cooled Unit Option:**

- (B) 3/8" F.P.T. Condenser Inlet
- (C) 1/2" M.P.T. Condenser Drain
- (D) 1/2" M.P.T. Ice Making Water Drain
- (E) 3/8" F.P.T. Ice Making Water Inlet

(F) 3/4" F.P.T. Bin Drain

## Space-Saving Designs



**RF-0650 on B-570**

Height	77.56" 197.00 cm
Width	30.00" 6.20 cm
Depth	34.00" 86.36 cm
Bin Storage	430 lbs. 195 kgs

Height includes adjustable bin legs  
 6.00" to 7.00", (15.24 to 17.78 cm)  
 set at 6.00" (15.24 cm).

## Accessories

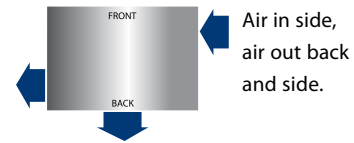
K-00405 48" B Style Bin Adapter\*

\*adapter not for use with Large Capacity Bins.

## Standard Equipment

K-00404 30" B-Style Bin Adapter

## Air Flow Overhead View



Model	Ice Shape	Ice Production 24 Hours Based on Air/Water Temp				Power kWh/100 lbs @ 90°Air/70°F	Potable Water Usage (100 lbs./ 45.4 kgs of Ice)	Condenser Water at 90/70°F
		70° Air/50°F Water 21° Air/10° C Water		90° Air/70°F Water 32° Air/21° C Water				
RF-0650A-261	Flake	671 lbs.	305 kgs	545 lbs.	248 kgs	5.03	12 gal./45.4 L	N/A
RF-0650W-261	Flake	716 lbs.	325 kgs	597 lbs.	271 kgs	4.08	12 gal./45.4 L	80 gal./303 L
RF-0650A-161	Flake	730 lbs.	332 kgs	558 lbs.	254 kgs	5.14	12 gal./45.4 L	N/A
RF-0650W-161	Flake	731 lbs.	332 kgs	609 lbs.	277 kgs	4.09	12 gal./45.4 L	81 gal./307 L