

SINGLE MILK SHAKE MIXER

Operating Guide

CONTENTS

- I. Machine Partly Illustration
- II. Parts List
- III. Character
- IV. Technical Specification
- V. Warning
- VI. Store
- VII. Electronic Drawing

The product is executed standards of GB4706.38-2003.
Note: Please saving the manual carefully for checking.

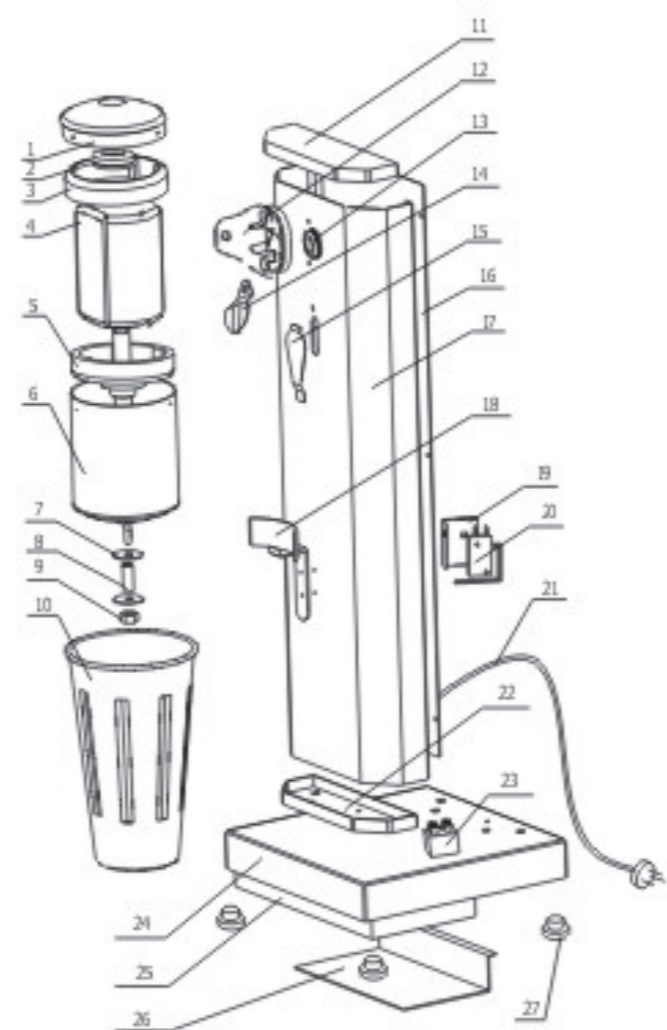
V. WARNING

1. Make sure your local power is AC220V -240V 50Hz.
2. The appliance must be placed levelly on the place where is good ventilation.
3. First turn on the power. The appliance begin to work as soon as the cup is put up.
4. The stir axle avoid collision, so that prevent it curved and deformation
5. Please do not fix food over 2/3 volume of the cup.
6. In order to pledge safe, please connect ground wire.

VI STORE

If the appliance would not to use for a long time, unplug to prevent any hazard.

1. Machine Illustration Diagram:



Drawing 1

II. Parts List:

Items	Parte Number	Description	Remark
1	CS-DN-0001	Topper	
2	CS-DN-0002	Rubber Plant 1	
3	CS-DN-0003	Rubber Plant 2	
4	CS-DN-0004	Motor	
5	CS-DN-0005	Ruber Plant 3	
6	CS-DN-0006	Elektricity Machine Shell	
7	CS-DN-0007	Impeller	
8	CS-DN-0008	Isolator	
9		Nut	
10	CS-DN-0009	Butter Cup	
11	CS-DN-0010	Jam Board 1	
12	CS-DN-0011	Fixed	
13	CS-DN-0012	Airproofed Pad	
14	CS-DN-0013	Clip Board	
15	CS-DN-0014	Spring Board	
16	CS-DN-0015	Backboard	
17	CS-DN-0016	Standing Post	
18	CS-DN-0017	Bracket	
19	CS-DN-0018	Fixed Board	
20		Sensitive On-Off	
21		Electrical Source Line	
22	CS-DN-0019	Jam Board 2	
23		Conjunction	
24	CS-DN-0020	Base	
25	CS-DN-0021	Supplement	
26	CS-DN-0022	Bottom Board	
27	CS-DN-0023	Under Support	

III. CHARACTER

The Single Milk Shake Mixer is new series product of our company. it's a special purpose electric enging of making milk—one of high quality food. This applian—ce can auto—turn, when you put up the cup, and put down the cup it auto—turn—off. The milk shaker practical apply to the café and the bar and the fast food restaurant.

IV. Technical Specification:

Description	Unit	Parameter
Input Power	W	180
Rated Frequency	Hz	50/60
Rated Voltage	V	220/240
Weight	Kg	6.5
Dimension	mm	185x185x520

VII. Electronic Drawing:

